



B A L U X

Spécifications techniques

Technical specifications

CENTRO

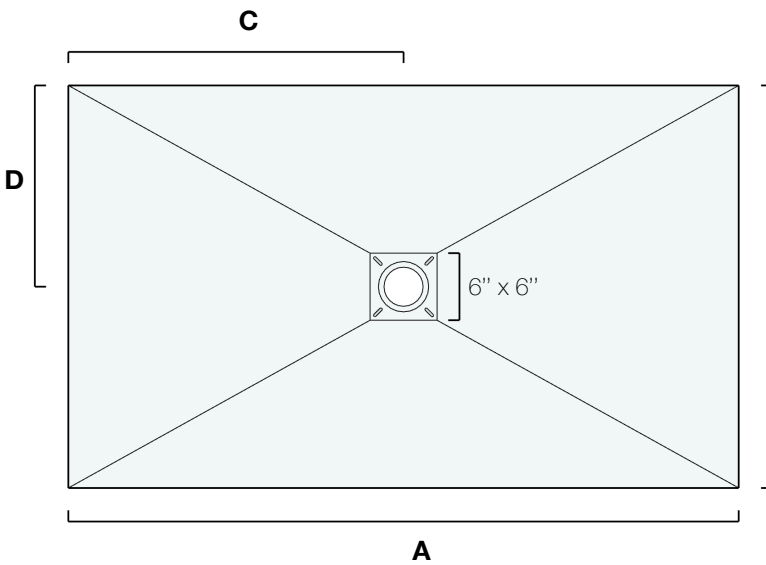
Base de douche italienne, drain central
Seamless shower base, centred drain

Matériel: Béton
Material: Concrete

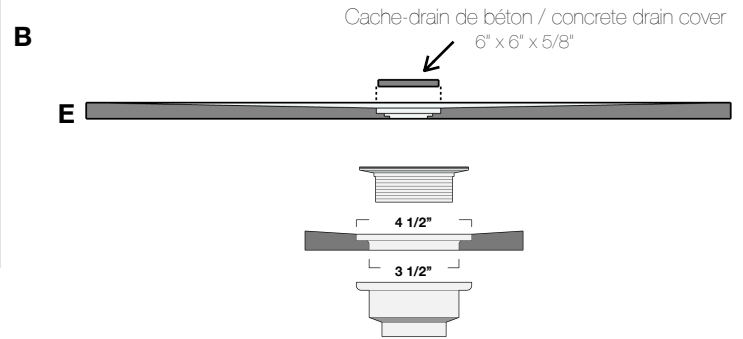
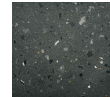
Valide pour les modèles suivants:

Valid for following models:

**BDI3648C , BDI3260C
BDI3660C, BDI4260C, BDI3672C**



Cache-drain carré de béton /
Square concrete drain cover



CODE	A	B	C	D	E	POIDS
BDI3648C	47 7/8"	35 7/8"	23 15/16"	17 15/16"	1 1/2"	160 lbs
BDI3260C	59 7/8"	31 7/8"	29 15/16"	15 15/16"	1 1/2"	177 lbs
BDI3660C	59 7/8"	35 7/8"	29 15/16"	17 15/16"	1 1/2"	215 lbs
BDI4260C	59 7/8"	41 7/8"	29 15/16"	20 15/16"	1 1/2"	230 lbs
BDI3672C	71 7/8"	35 7/8"	35 15/16"	17 15/16"	1 1/2"	245 lbs

Spécifications

- Drain/raccord 3 1/2" de diamètre non inclus
- Cache-drain de béton inclus
- 3 brides de carrelage incluses (1 coté court et 2 cotés longs)
- Certifié antidérapante par Intertek
- Facile à couper pour s'adapter aux formes et formats non conventionnels.

Specifications

- 3 1/2" drain not included
- Concrete drain cover (included)
- 3 tiling flanges included (1 small and 2 long sides)
- Anti-slip resistance certified by Intertek
- Easy to cut to fit any unconventional shape or size